

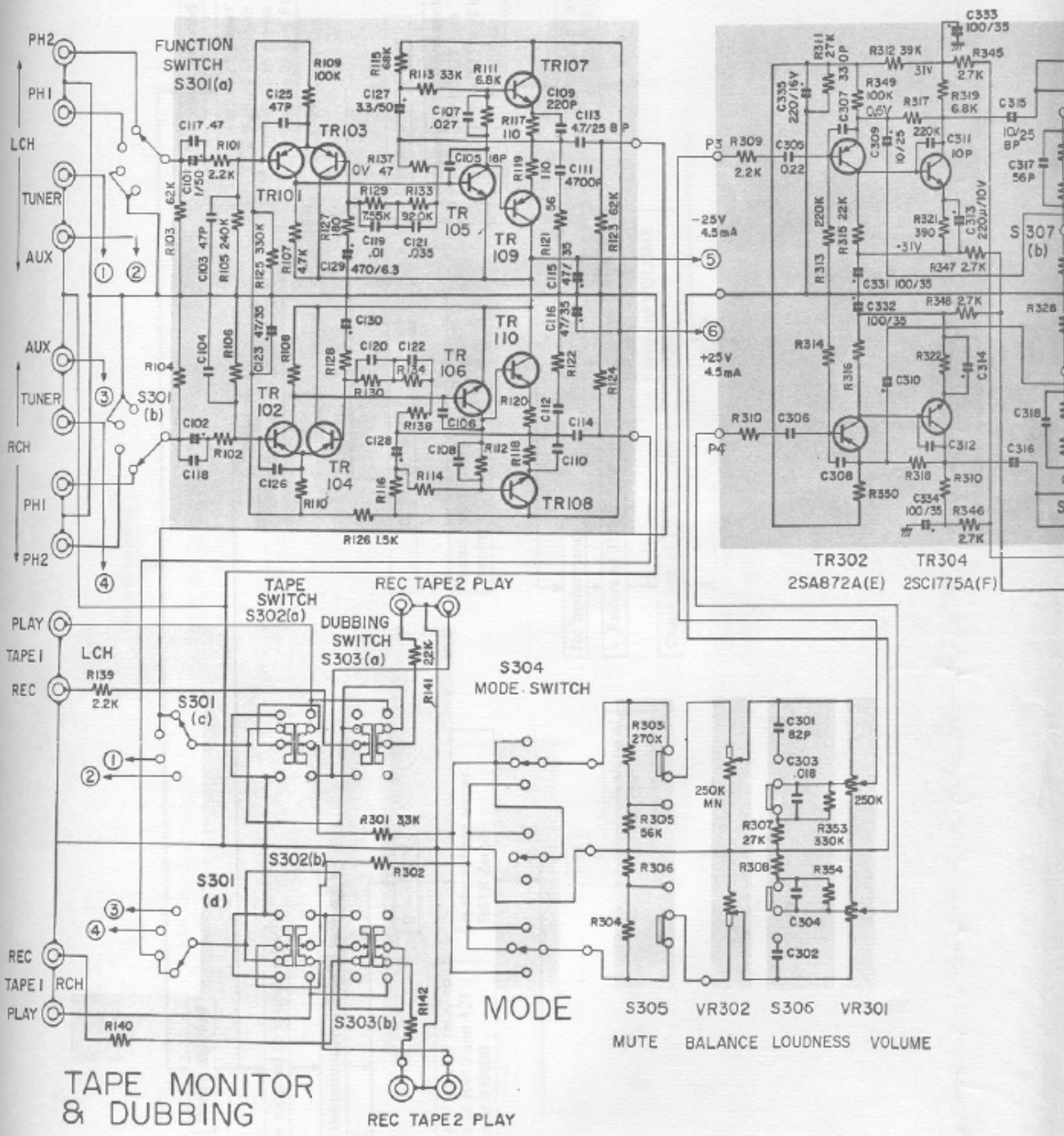
AUA-8000E SCHEMATIC DIAGRAM

EQUALIZER AMP.

2SA726F 2SC1919G 2SA726G

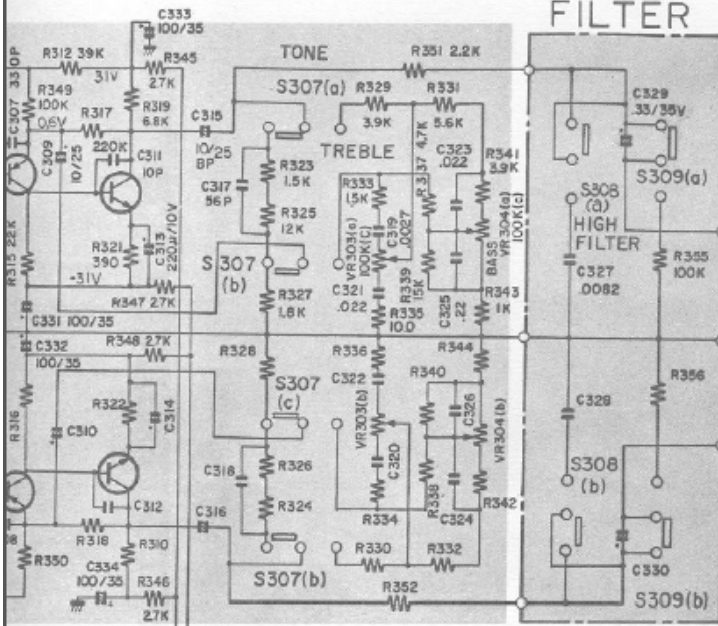
TR301 TR303

2SA872A(E) 2SC1775(F)

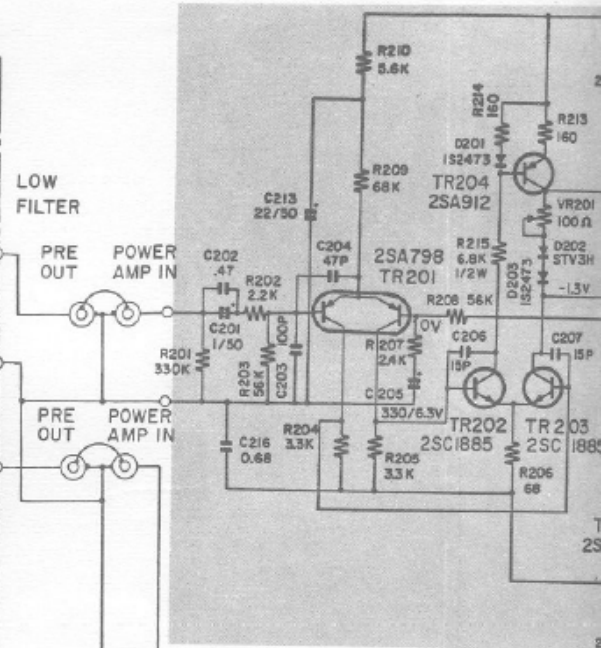


ONE AMP. & CONTROL

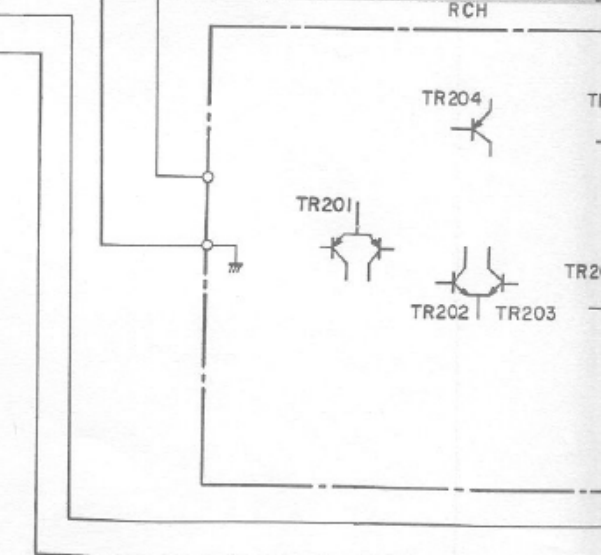
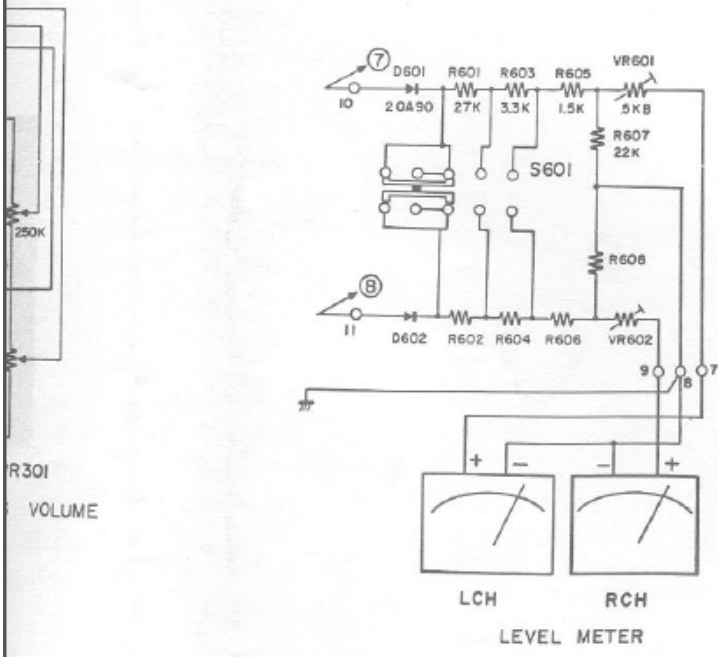
01 TR303
2A(E) 2SC1775(F)



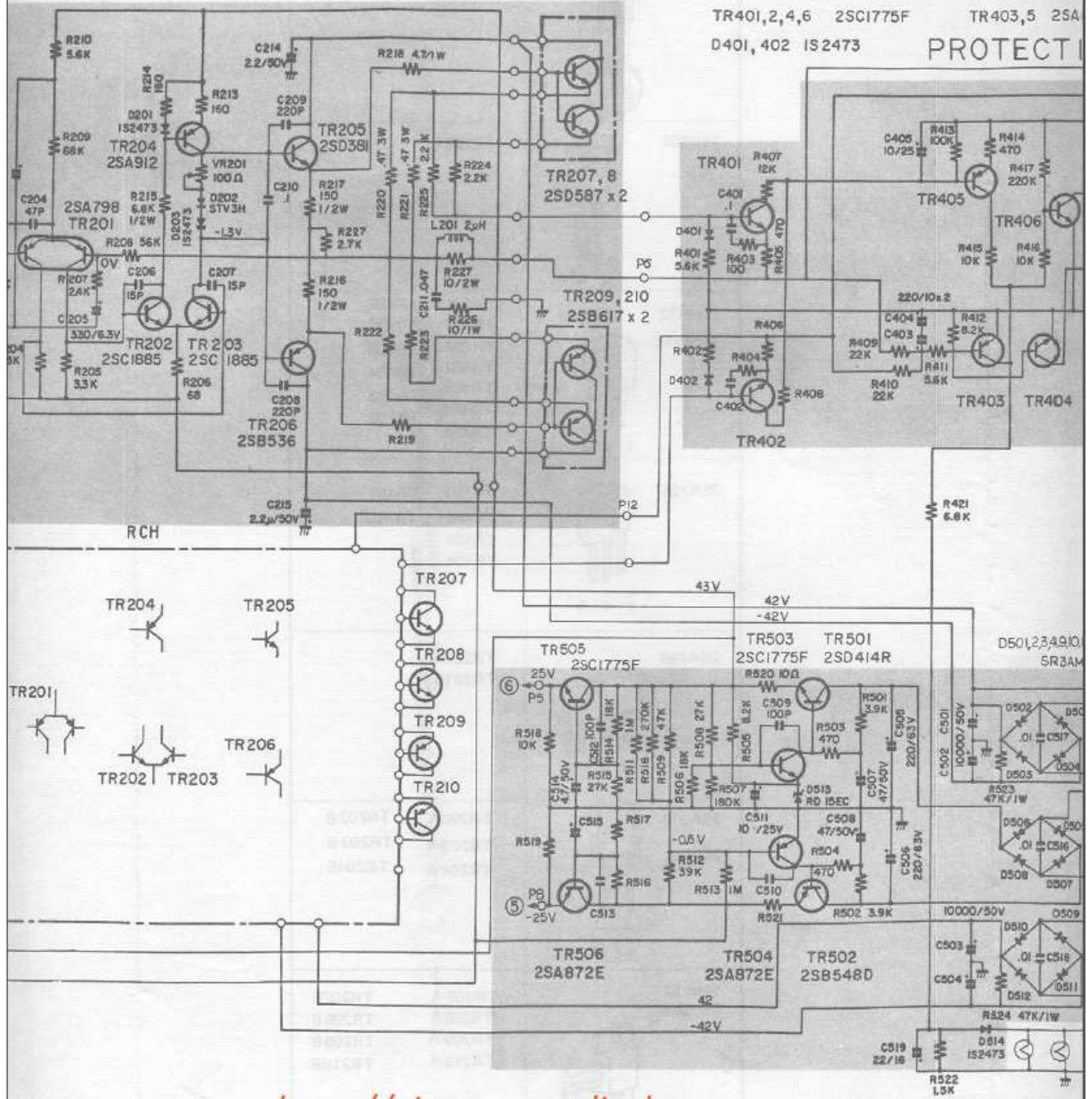
POWER



02 TR304
2A(E) 2SC1775A(F)



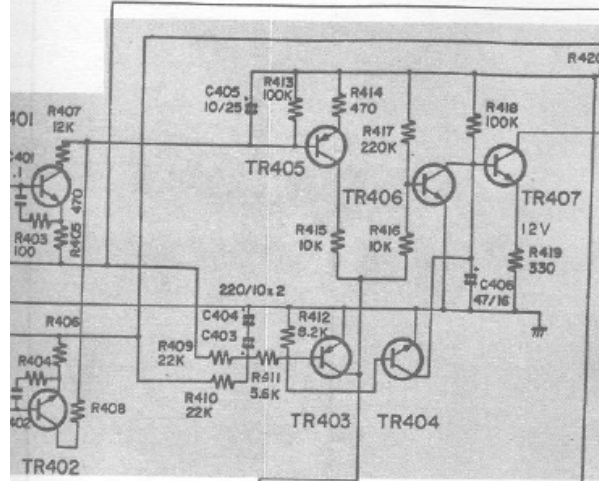
POWER AMP.



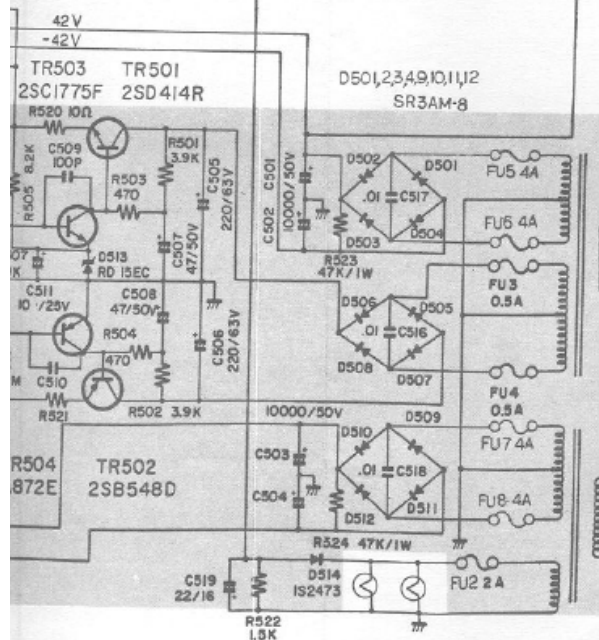
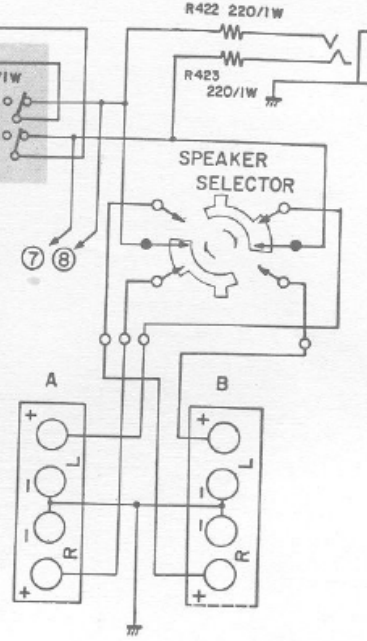
TR401,2,4,6 2SC1775F TR403,5 2SA872E TR407 2SD438E

401,402 IS2473

PROTECTION



HEAD-PHONE



POWER SUPPLY

